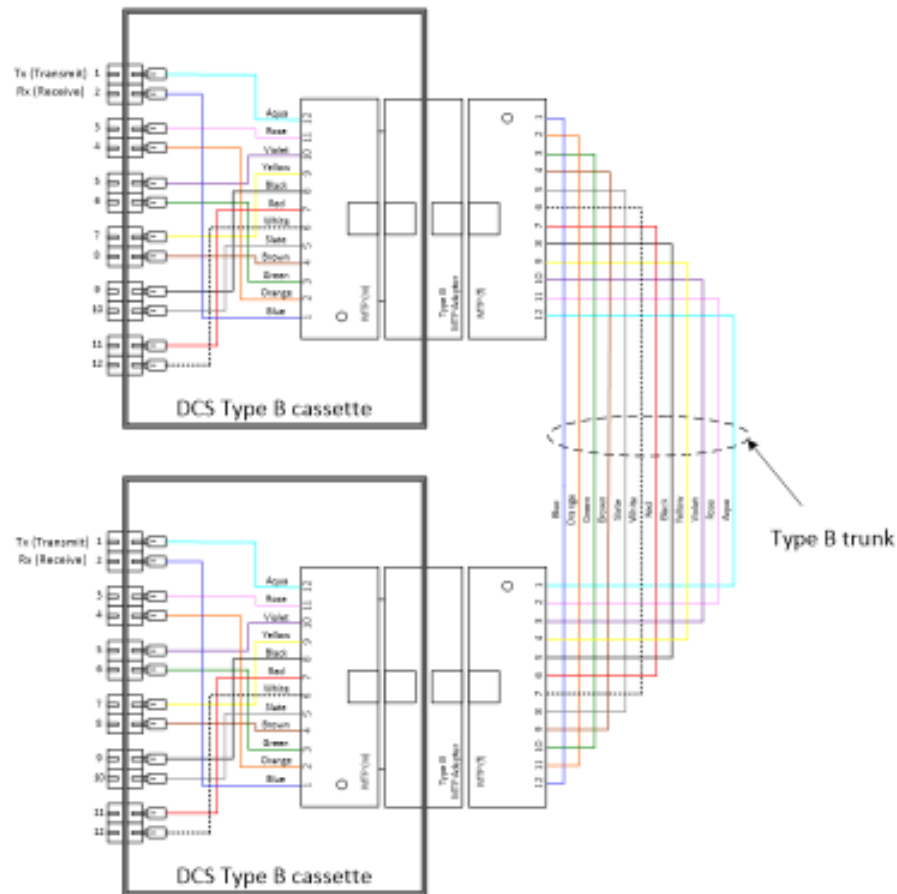


### DCS METHOD B



### TIA METHOD B

